

The Reading Rock



The forest is a magical place where fairy tales take place or myths are told about it. But forests can do much more. They provide a habitat for plants, animals and people, and are considered to strengthen the immune system.

The forest offers a lot of oxygen and purified air. During the day the trees absorb carbon dioxide and release oxygen by photosynthesis, regardless of whether they are conifers or deciduous trees.

That's why we choose this special place for our project, not only to create a space for reading we also want to give an experience, a place to relax or even an animal observation point. The Reading Rock is placed in the fairytale forest near Ruhpolding, it's a small town between Munich and Salzburg.

Magdalena Haas - Leonhard Geiling

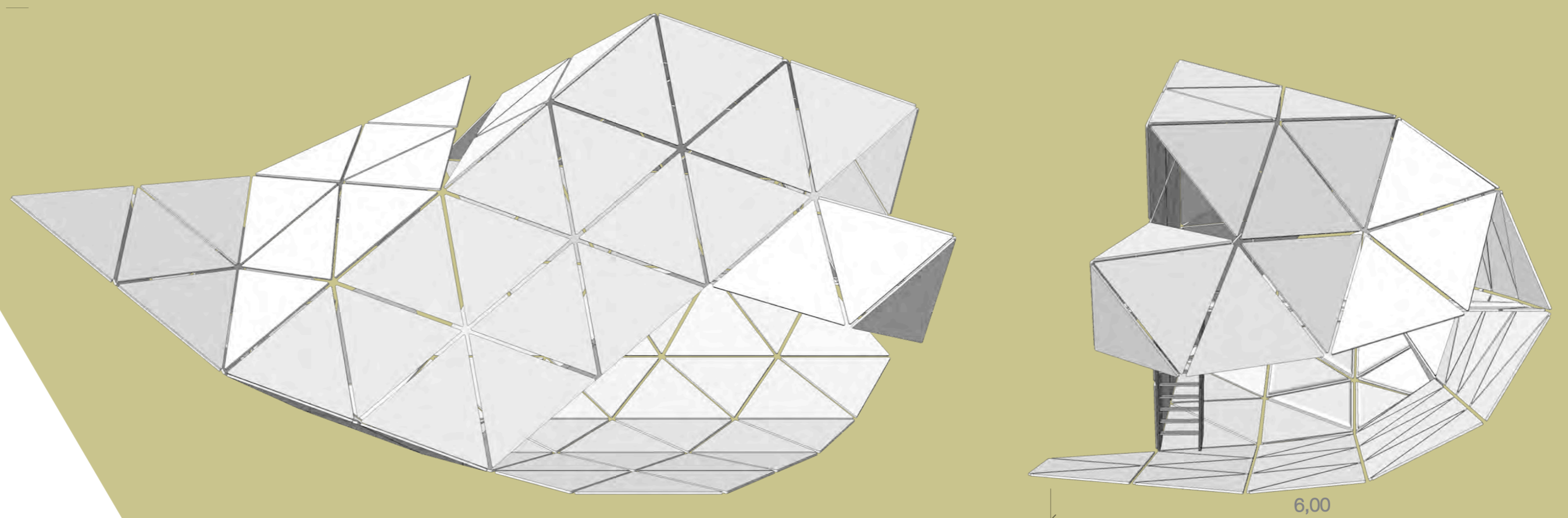
INN B2 G1

Concept & Construction

The shape consists of many equilateral triangles. These were inspired by the abstracted shape of a spruce. The juxtaposition of the individual parts was determined by building a working model, which helped us to develop a shape for our Portable Reading Room. The result is a very interesting sculptural form, made of wooden panels with an edge length of 1.5 metres, which fits perfectly into the woods like a rock.

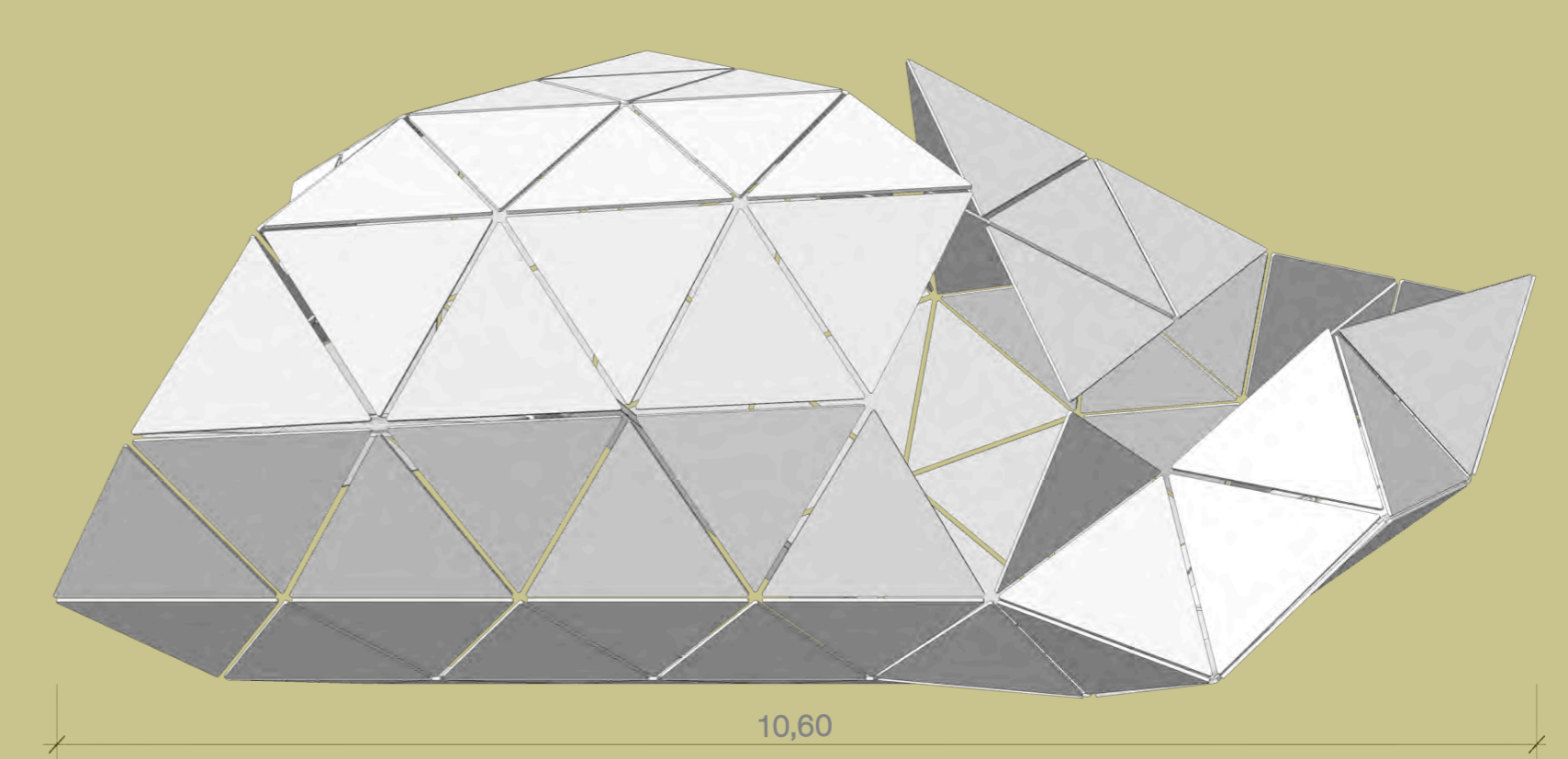
The construction is made of the wooden panels, which are connected by steel connectors. These connectors have the basis of a socket set screw on each connecting point. The connection is secured by a metric screw and a nut, which press both pieces together. This construction allows the light to enter between the individual panels.

The room is open to the outside the whole year to create a close connection to the nature and to mediate the feeling of a forest bath. Moreover to hear the birds chirping, to feel the wind and - depending on the season - to feel the warmth or cold, but still provide shelter.

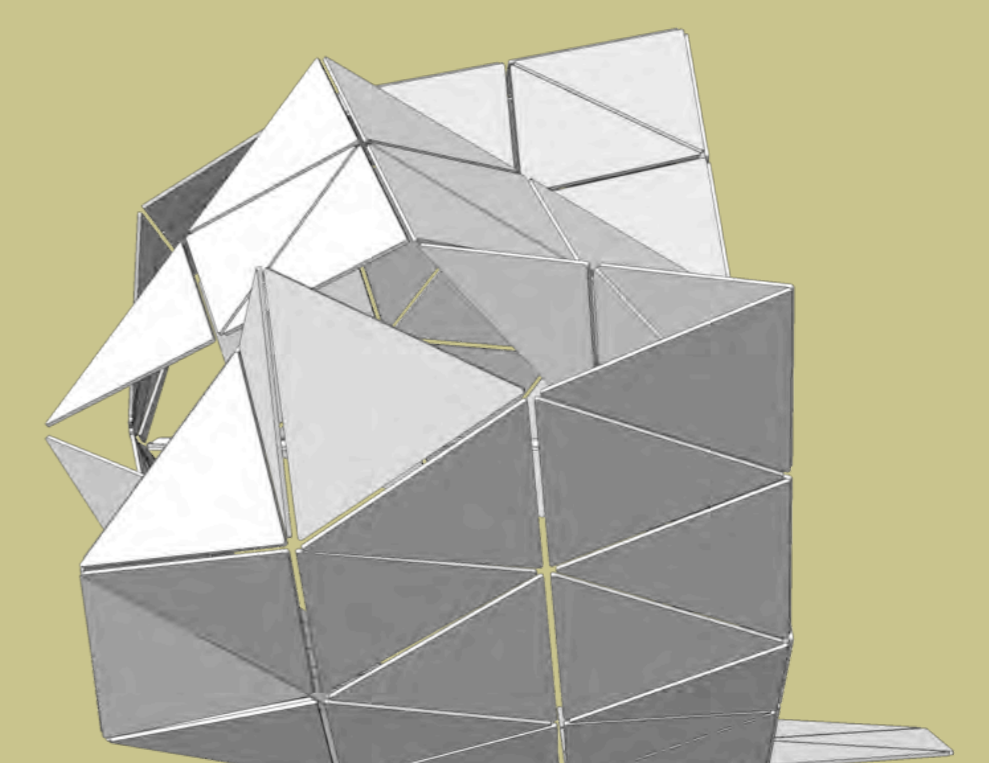


south view, scale 1:50

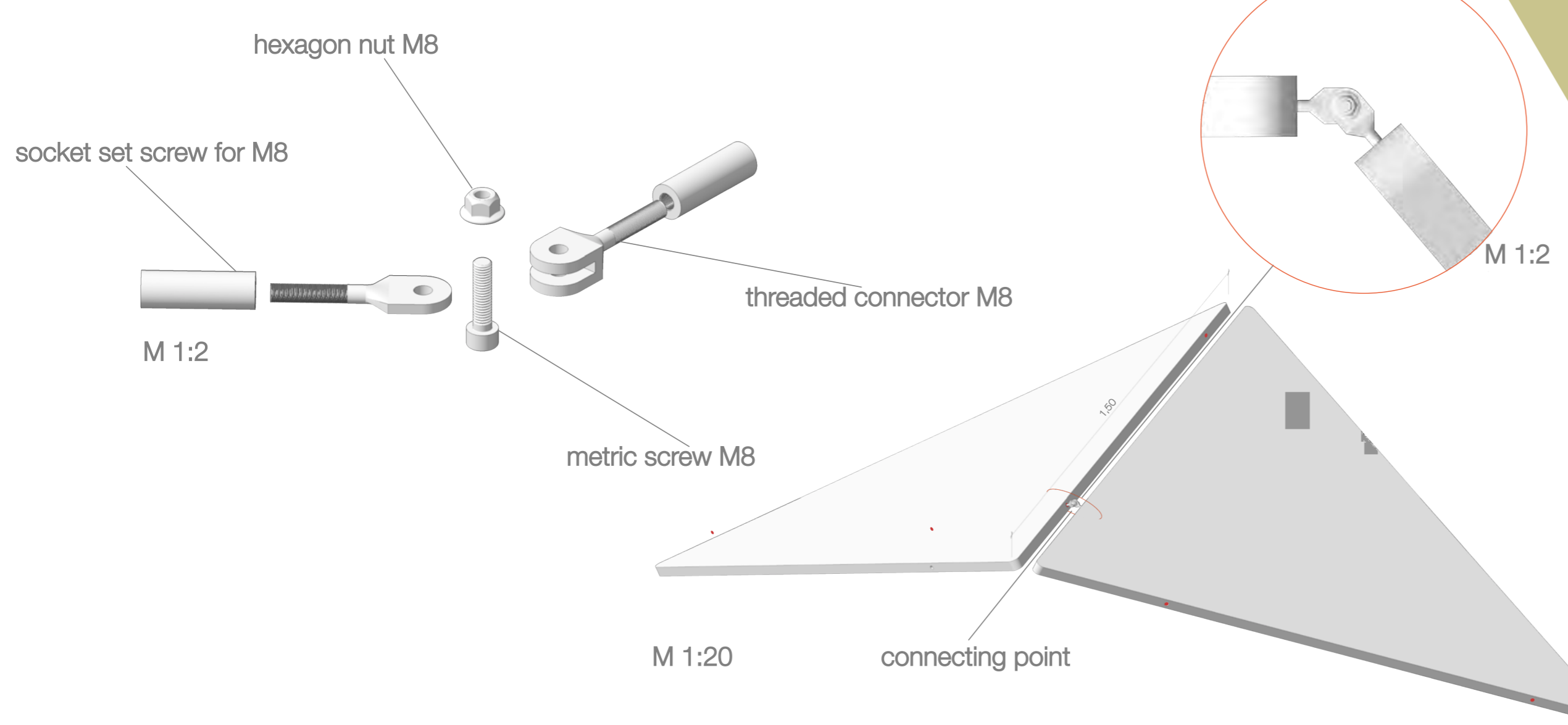
east view, scale 1:50



north view, scale 1:50

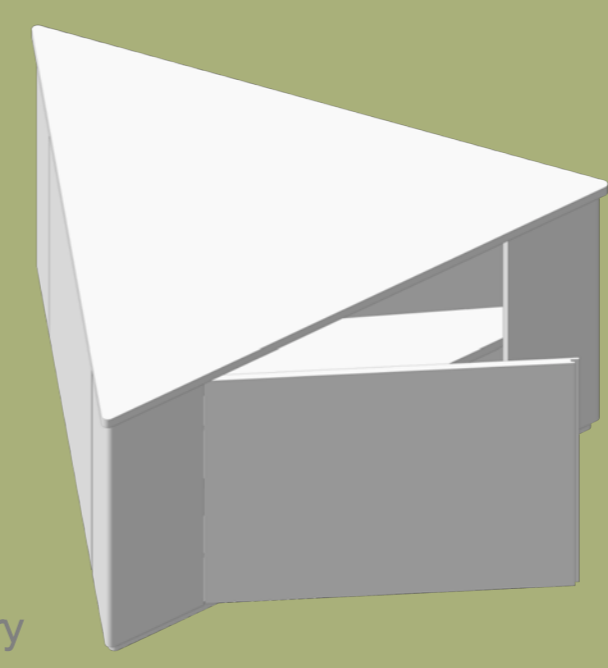
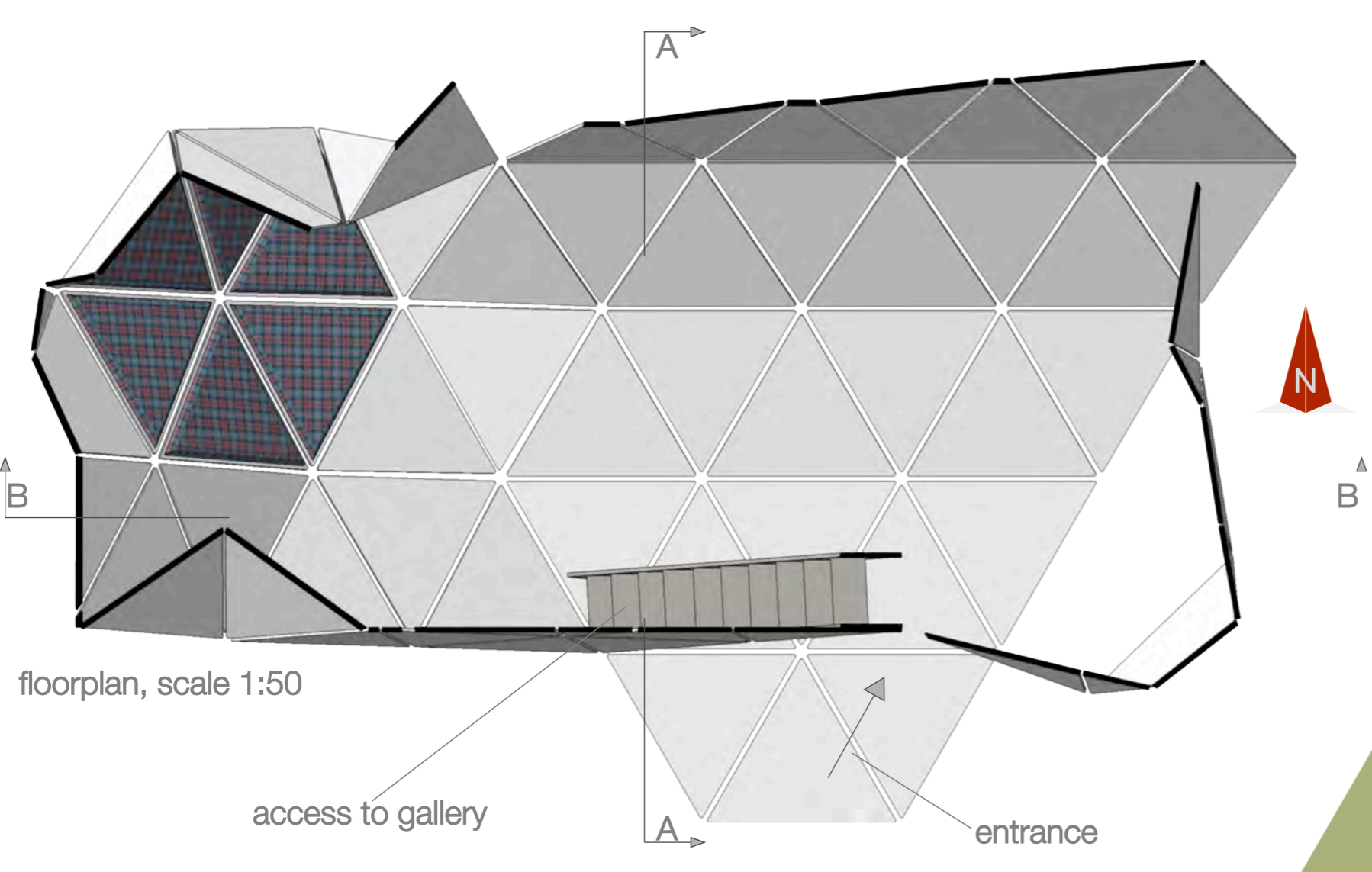
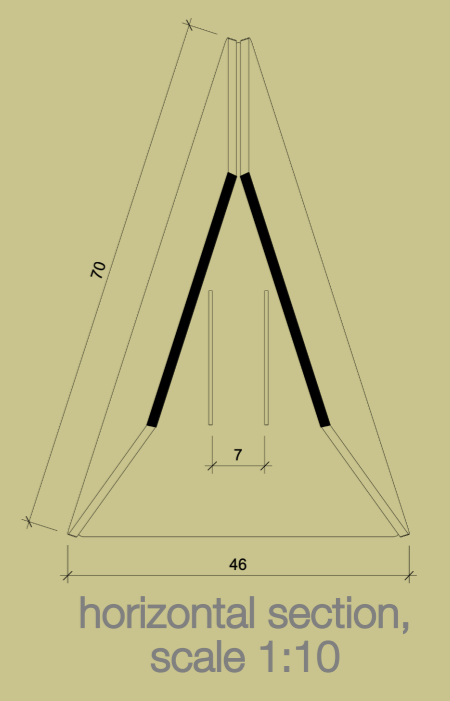
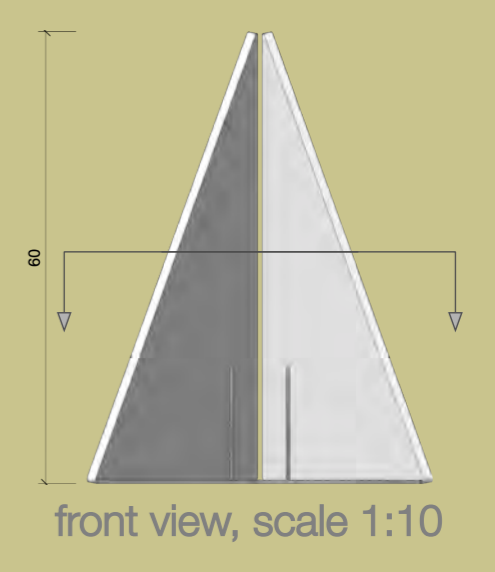
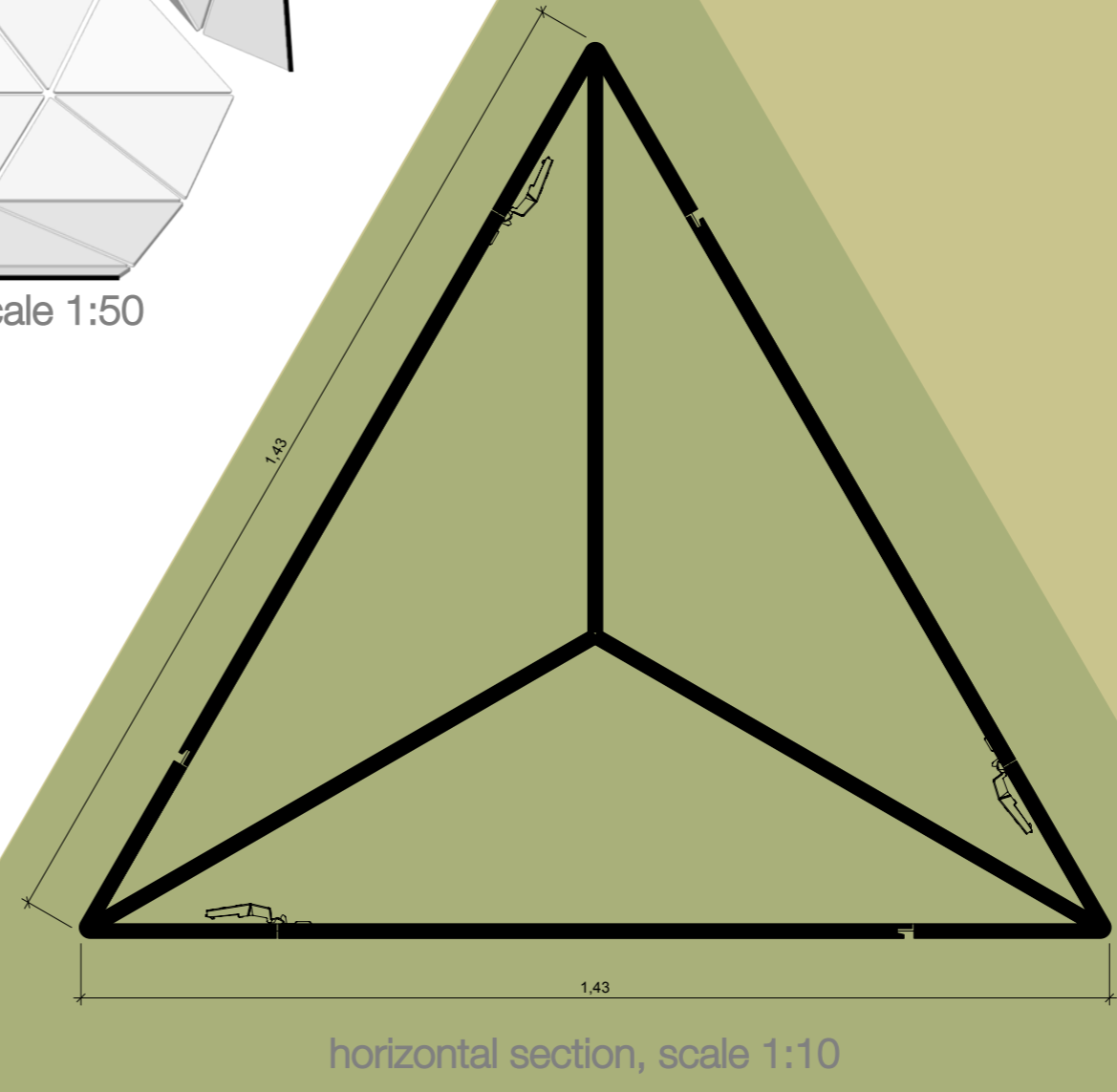
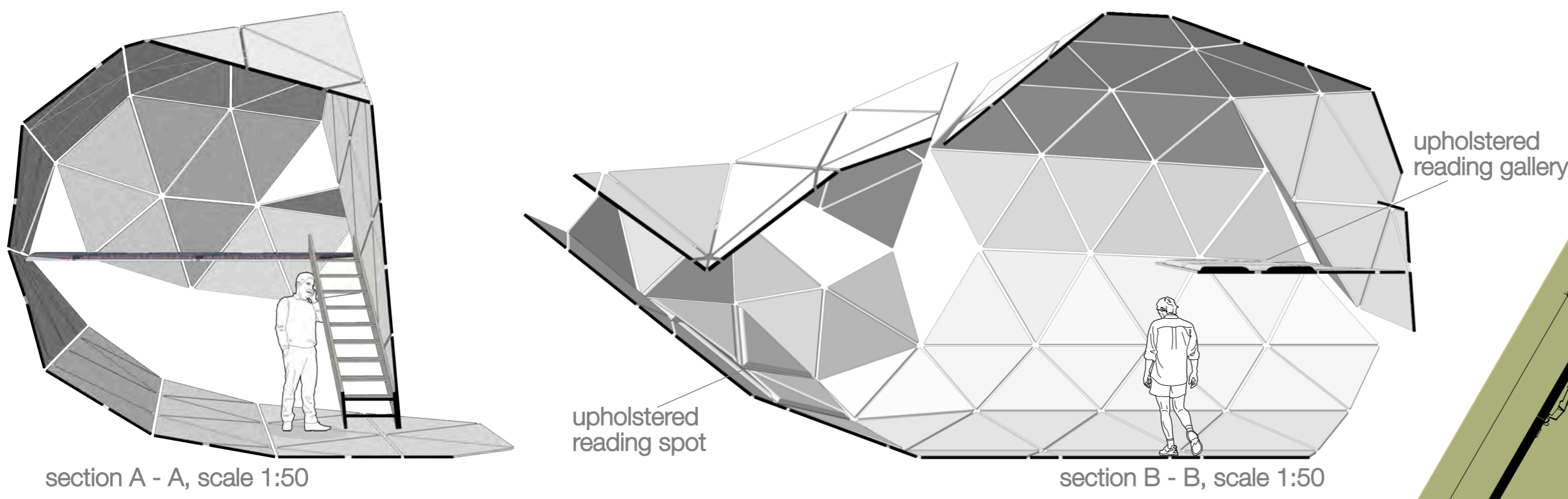


west view, scale 1:50



Bicycle Stand

The bicycle racks also consist of wooden triangles and a steel base plate, so it is possible to freely arrange individual bicycle rack modules.



Floorplan & Section

In the sections and the floor plan, the access of our Reading Rock can be read very well, one enters it in the south and can find a place to read there. Either on the upholstered seat in the west of the room, or on the birdwatching gallery in the east.

Book box

The book box was developed from two large triangles. The box has three book compartments - each of them subdivided again by a shelf - so you could sort the books by genre, for example. The box has a capacity of approx. 0.7 cubic metres, and cause it forms a single module, you can place as many as you want. Furthermore, the book box offers additional seating areas.



birdwatching gallery

arrival at the Reading Rock

view from the gallery

book box and bicycle stand